

600V Instrument Current Transformers

The GREWIN CTTseries of 600V instruction current transformers are designed for minimum phase angle error are required. Six different window openings and four different mounting styles along with numerous secondary ratios are available to meet most applications

FEATURES:

- Low cost
- Wound cold rolling oriented silicon steel core, without air gap, uniform wined secondary winding, small flux leakage
- More than 10 size
- 5.0,1.0Aac secondary output available

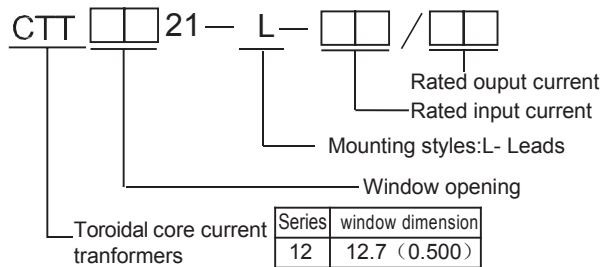
APPLICATIONS

- Current,Power, Energy monitoring devices
- Relay protection device

SPECIFICATIONS

- Shell material:PBT or ABS
- Operating Temperature: -25 to +55° C,-40 to +85° C optional
- Operating Voltage:600Vac
- Frequency: 50-400 Hz
- RoHS compliant
- CE-approved
- Accuracy class: compliant IEC60044-1 Part 1 Current Transformers Class 0.2, 0.5, 1.0, 3.0

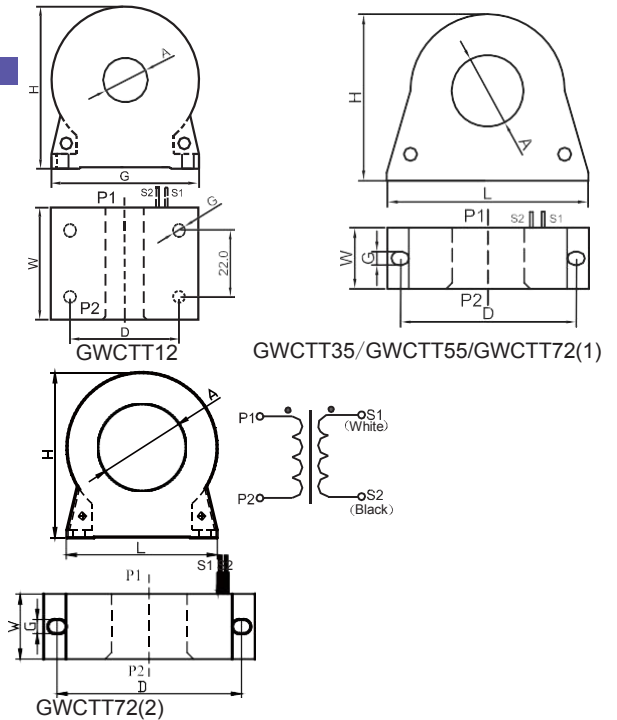
PART NUMBER



Series	window dimension
12	12.7 (0.500)
35	35 (1.378)
45	45 (1.772)
50	50 (1.969)
55	55 (2.165)
72	72 (2.835)



OUTLINE DRAWING



PARAMETER

WINDOW OPENING SIZE A	SERIES	DIMENSIONS(mm/inch)					IEC60044-1、GB1208-1997COMPLIANT @ 50/60Hz						
		L (Lenth)	W (Width)	H (High)	D (Pitch)	G	turn ratio	number of turns for primary	2.5VA	5VA	12.5VA	22.5VA	50VA
12.7 (0.5)	12	50.0 (1.969)	38.0 (1.496)	55.0 (2.165)	40.0 (1.575)	4.0 (0.158)	25:5	3	3.0				
							30:5	3	3.0				
							40:5	2	3.0				
							50:5	2	1.0				
							60:5	1	3.0				
							75:5	1	3.0				
							80:5	1	3.0				
							100:5	1	1.0				
							120:5	1	1.0				
							125:5	1	1.0				
							150:5	1	1.0				
							200:5	1	1.0	1.0			
250:5	1	1.0	1.0										
300:5	1	1.0	1.0	3.0									

Address: HeXi Distr,300222 Tianjin China. Phone:+86-022-84943756

Website:www.grewin-tech.com

WhatsApp:+86-13072088960

Email:salesmanager@grewin-tech.com

600V Instrument Current Transformers

WINDOW OPENING SIZE A	SERIES	DIMENSIONS(mm)					IEC60044-1、GB1208-1997COMPLIANT @ 50/60Hz								
		L (Lenth)	W (Width)	H (High)	D (Pitch)	G	turn ratio	number of turns for primary	2.5VA	5VA	12.5VA	22.5VA	50VA		
35.0 (1.378)	35	98.5 (3.878)	30.0 (1.181)	80.0 (3.150)	85.5 (3.366)	6.0 (0.236)	15:5	5	3.0	3.0					
							20:5	4	3.0	3.0					
							25:5	3	3.0	3.0					
							30:5	3	1.0	3.0					
							40:5	2	3.0	3.0					
							50:5	2	1.0	3.0					
							60:5	2	1.0	1.0					
							75:5	1	3.0						
							80:5	1	3.0						
							100:5	1	1.0	3.0					
							120:5	1	1.0	1.0					
							125:5	1	1.0	1.0					
							150:5	1	0.5	1.0	3.0				
							200:5	1	0.5	1.0	3.0				
							250:5	1	0.2	0.5	1.0				
300:5	1	0.2	0.2	0.5	1.0										
400:5	1	0.2	0.2	0.5	1.0	3.0									
500:5	1	0.2	0.2	0.2	1.0	3.0									
45.0 (1.772)	45	120.0 (4.724)	36.0 (1.417)	101.5 (3.996)	98.0 (3.858)	5.0 (0.197)	100:5	1	3.0						
							150:5	1	3.0	3.0					
							200:5	1	1.0	1.0					
							250:5	1	0.5	1.0	3.0				
							300:5	1	0.5	0.5	1.0				
							400:5	1	0.5	0.5	1.0	1.0			
							500:5	1	0.2	0.5	0.5	1.0			
							600:5	1	0.2	0.2	0.5	0.5			
							750:5	1	0.2	0.2	0.5	0.5			
							800:5	1	0.2	0.2	0.5	0.5			
							1000:5	1	0.2	0.2	0.5	0.5			
1200:5	1	0.2	0.2	0.2	0.5										
55.0 (2.165)	55	150.0 (5.906)	36.0 (1.417)	126.0 (4.961)	138.0 (5.433)	5.5 (0.217)	100:5	1	3.0						
							150:5	1	1.0	3.0					
							200:5	1	0.5	1.0					
							250:5	1	0.5	1.0	1.0				
							300:5	1	0.5	0.5	1.0	3.0			
							400:5	1	0.2	0.2	0.5	1.0			
							500:5	1	0.2	0.2	0.5	1.0			
							600:5	1	0.2	0.2	0.5	0.5	1.0		
							750:5	1	0.2	0.2	0.5	0.5	1.0		
							800:5	1	0.2	0.2	0.5	0.5	1.0		
							1000:5	1	0.2	0.2	0.5	0.5	1.0		
							1200:5	1	0.2	0.2	0.2	0.5	0.5		
							1500:5	1	0.2	0.2	0.2	0.2	0.5		
1600:5	1	0.2	0.2	0.2	0.2	0.5									
2000:5	1	0.2	0.2	0.2	0.2	0.5									

Address: HeXi Distr,300222 Tianjin China. Phone:+86-022-84943756
 Website:www.grewin-tech.com WhatsApp:+86-13072088960
 Email:salesmanager@grewin-tech.com

600V Instrument Current Transformers

WINDOW OPENING SIZE A	SERIES	DIMENSIONS(mm)					IEC60044-1 · GB1208-1997COMPLIANT @ 50/60Hz						
		L (Lenth)	W (Width)	H (High)	D (Pitch)	G	turn ratio	number of turns for primary	2.5VA	5VA	12.5VA	22.5VA	50VA
72.0 (2.835)	72 (1)	175.0 (6.900)	44.0 (1.732)	150.0 (5.906)	154.0 (6.063)	7.0 (0.276)	100:5	1	1.0				
							150:5	1	1.0				
							200:5	1	1.0				
							250:5	1	1.0				
							300:5	1	0.5	1.0	1.0		
							400:5	1	0.2	0.5	1.0	1.0	
	72 (2)	125.0 (4.921)	30.0 (1.181)	140.0 (5.512)	145.0 (5.709)	9.0 (0.354)	500:5	1	0.2	0.2	0.5	1.0	3.0
							600:5	1	0.2	0.2	0.5	1.0	1.0
							750:5	1	0.2	0.2	0.2	0.5	1.0
							800:5	1	0.2	0.2	0.2	0.5	1.0
							1000:5	1	0.2	0.2	0.2	0.5	0.5
							1200:5	1	0.2	0.2	0.2	0.5	0.5
							1500:5	1	0.2	0.2	0.2	0.5	0.5
							1600:5	1	0.2	0.2	0.2	0.5	0.5
							2000:5	1	0.2	0.2	0.2	0.2	0.2
							2500:5	1	0.2	0.2	0.2	0.2	0.2
3000:5	1	0.2	0.2	0.2	0.2	0.2							

Address: HeXi Distr,300222 Tianjin China. Phone:+86-022-84943756
 Website:www.grewin-tech.com WhatsApp:+86-13072088960
 Email:salesmanager@grewin-tech.com