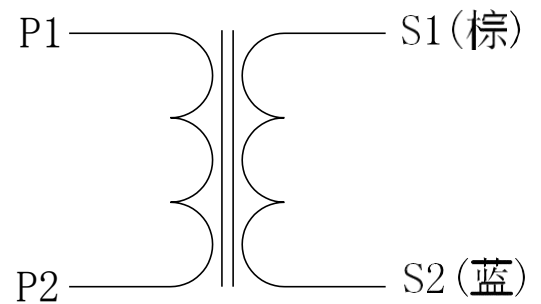
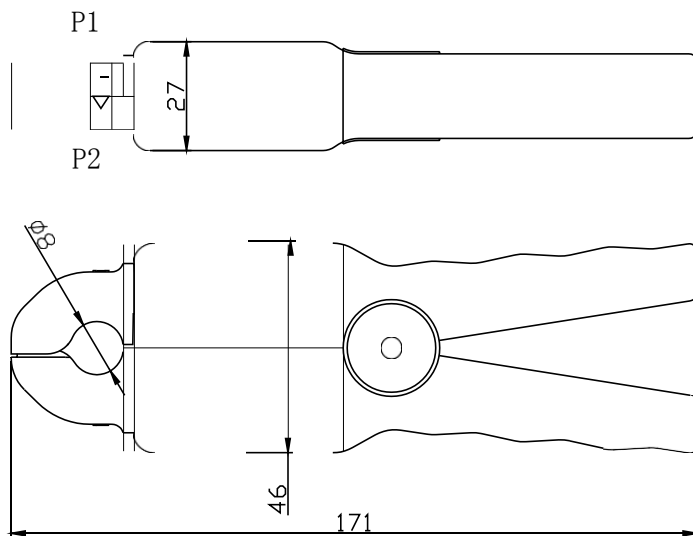




Tianjin Grewin Technology Co.,Ltd

Name	Clamp on Current Transformer	Type	GWCTP0080N-5A/0.15V
Rated Input	5A	Rated Output	0.15V
Rated Point Accuracy	$< \pm 0.2\%$	Linear Range	5%~120%
Rated Point Angle Difference	$< 60'$	Linearity	0.2%
Working Temperature	$-15^{\circ}\text{C} \sim +50^{\circ}\text{C}$	Storage Temperature	$-20^{\circ}\text{C} \sim +60^{\circ}\text{C}$
Relative Humidity	$\leq 80\%$	Atmospheric Pressure	70-106kpa
Dielectric Strength	3000Vac/15S	Insulation Resistance	100M Ω /500VDC

Outline install size, Schematic diagram and Homonymous End Definition (unit: mm):
 L×W×H=171×46×27; Inner hole: $\phi 8$; output wire length 2.0m,



Address: HeXi Distr,300222 Tianjin China.
 Website:www.grewin-tech.com
 Phone:+86-022-84943756
 WhatsApp:+86-13072088960
 Email:salesmanager@grewin-tech.com

Clamp on Current Transformers

Features

- Low cost.
- 6 standard size
- Clamp-on core design, safer, easier installation, portable
- Both Silicon Steel & Nickel Alloy cores available

Applications

- Silicon Steel cores provide moderate accuracy and lower cost for appropriate current measurement current
- Nickel Alloy cores are suitable for applications that require the highest accuracy with minimal phase angle error. Applications would include electric power quality monitoring devices

Specifications

- Case material: Polypropylene resin
- Voltage rank: 600Vac (isolated condition), 30Vac (bareness condition)
- High Potential: 2500Volts/min
- Dielectric Resistance: 1000MΩ @ 500 Vdc
- Operating Temperature: -25°C to +70°C
- Frequency: 50 / 60 Hz
- RoHS compliant
- CE-approved

Address: HeXi Distr, 300222 Tianjin China.
Website: www.grewin-tech.com
Phone: +86-022-84943756
WhatsApp: +86-13072088960
Email: salesmanager@grewin-tech.com