

## 600V Instrument Current Transformers

The GREWIN CTT series of 600V instrument current transformers are designed for minimum phase angle error are required. Seven different window openings and four different mounting styles along with numerous secondary ratios are available to meet most applications. This short form catalog shows an overview of our production. Contact factory for different sizes or style.

### FEATURES

- Low cost
- Wound cold rolling oriented silicon steel core, without air gap, uniform wound secondary winding, small flux leakage
- More than 7 size
- 5.0, 1.0Aac secondary output available

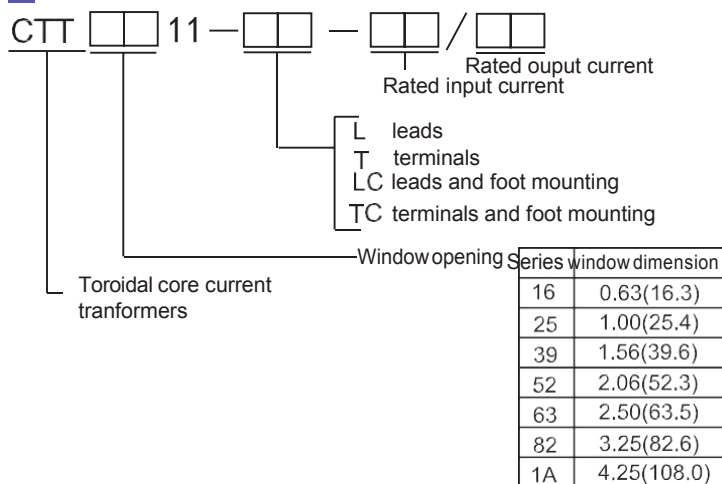
### APPLICATIONS

- Current, Power, Energy monitoring devices
- Relay protection device

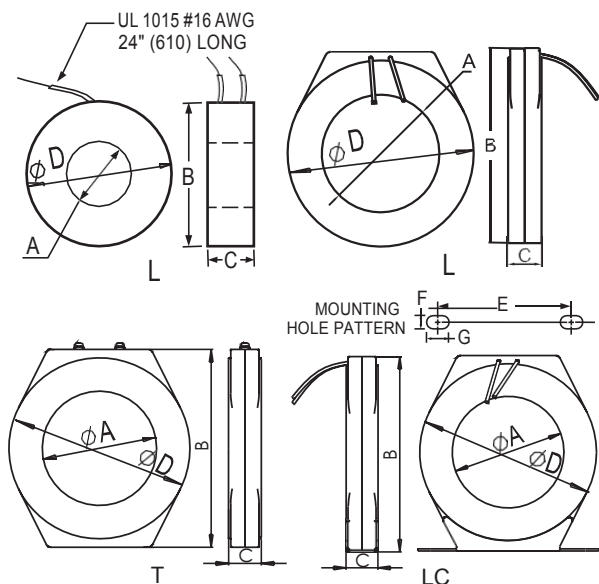
### SPECIFICATIONS

- Shell material: PBT or ABS
- Operating Temperature: -25 to +55° C, -40 to +85° C optional
- Operating Voltage: 600Vac
- Frequency: 50-400 Hz
- RoHS compliant • CE-approved
- Compliant ANSI
- Safety requirement :strictly prohibited to open the secondary winding

### PART NUMBER



### OUTLINE DRAWING



### PARAMETER

| WINDOW OPENING SIZE A | SERIES | DIMENSIONSinch(mm) |                |                |   |   |   | IEC60044-1 COMPLIANT@ 50/60 Hz |       |     |        |        |      |
|-----------------------|--------|--------------------|----------------|----------------|---|---|---|--------------------------------|-------|-----|--------|--------|------|
|                       |        | B                  | C              | D              | E | F | G | TURN RATIO                     | 2.5VA | 5VA | 12.5VA | 22.5VA | 50VA |
| 0.64<br>(16.3)        | 16     | 1.99<br>(50.5)     | 1.24<br>(31.5) | 1.99<br>(50.5) |   |   |   | 60:5                           | 3.0   | --  | --     | --     | --   |
|                       |        |                    |                |                |   |   |   | 75:5                           | 3.0   | --  | --     | --     | --   |
|                       |        |                    |                |                |   |   |   | 80:5                           | 3.0   | --  | --     | --     | --   |
|                       |        |                    |                |                |   |   |   | 100:5                          | 1.0   | --  | --     | --     | --   |
|                       |        |                    |                |                |   |   |   | 120:5                          | 1.0   | 1.0 | --     | --     | --   |
|                       |        |                    |                |                |   |   |   | 125:5                          | 1.0   | 1.0 | --     | --     | --   |
|                       |        |                    |                |                |   |   |   | 150:5                          | 1.0   | 1.0 | --     | --     | --   |
|                       |        |                    |                |                |   |   |   | 200:5                          | 0.2   | 0.5 | --     | --     | --   |
|                       |        |                    |                |                |   |   |   | 250:5                          | 0.2   | 0.5 | --     | --     | --   |
| 1.0<br>(25.4)         | 25     | 2.50<br>(69.0)     | 1.75<br>(44.5) | 2.56<br>(65.0) |   |   |   | 50:5                           | 5.0   | --  | --     | --     | --   |
|                       |        |                    |                |                |   |   |   | 60:5                           | 3.0   | --  | --     | --     | --   |
|                       |        |                    |                |                |   |   |   | 75:5                           | 3.0   | 3.0 | --     | --     | --   |
|                       |        |                    |                |                |   |   |   | 80:5                           | 1.0   | 3.0 | --     | --     | --   |
|                       |        |                    |                |                |   |   |   | 100:5                          | 1.0   | 1.0 | --     | --     | --   |



## 600V Instrument Current Transformers

| WINDOW<br>OPENING<br>SIZE<br>A | SERIES | DIMENSIONS inch(mm) |                |                |                |               |                | IEC60044-1 COMPLIANT |       |     |        |        |      |
|--------------------------------|--------|---------------------|----------------|----------------|----------------|---------------|----------------|----------------------|-------|-----|--------|--------|------|
|                                |        | B                   | C              | D              | E              | F             | G              | TURN<br>RATIO        | 2.5VA | 5VA | 12.5VA | 22.5VA | 50VA |
| 1.0<br>(25.4)                  | 25     | 2.50<br>(69.0)      | 1.75<br>(44.5) | 2.56<br>(65.0) |                |               |                | 120:5                | 1.0   | 1.0 | --     | --     | --   |
|                                |        |                     |                |                |                |               |                | 125:5                | 0.5   | 1.0 | --     | --     | --   |
|                                |        |                     |                |                |                |               |                | 150:5                | 0.5   | 1.0 | 3.0    | --     | --   |
|                                |        |                     |                |                |                |               |                | 200:5                | 0.2   | 0.5 | 1.0    | --     | --   |
|                                |        |                     |                |                |                |               |                | 250:5                | 0.2   | 0.5 | 1.0    | --     | --   |
|                                |        |                     |                |                |                |               |                | 300:5                | 0.2   | 0.2 | 0.5    | 1.0    | 3.0  |
| 1.56<br>(39.6)                 | 39     | 4.0<br>(101.5)      | 1.10<br>(27.9) | 3.61<br>(91.8) | 3.88<br>(98.6) | 0.27<br>(6.9) | 0.44<br>(11.2) | 100:5                | 1.0   | --  | --     | --     | --   |
|                                |        |                     |                |                |                |               |                | 150:5                | 1.0   | 1.0 | --     | --     | --   |
|                                |        |                     |                |                |                |               |                | 200:5                | 0.5   | 0.5 | --     | --     | --   |
|                                |        |                     |                |                |                |               |                | 250:5                | 0.5   | 0.5 | 1.0    | --     | --   |
|                                |        |                     |                |                |                |               |                | 300:5                | 0.2   | 0.2 | 1.0    | --     | --   |
|                                |        |                     |                |                |                |               |                | 400:5                | 0.2   | 0.2 | 0.5    | 3.0    | --   |
|                                |        |                     |                |                |                |               |                | 500:5                | 0.2   | 0.2 | 0.5    | 1.0    | --   |
|                                |        |                     |                |                |                |               |                | 600:5                | 0.2   | 0.2 | 0.5    | 1.0    | --   |
|                                |        |                     |                |                |                |               |                | 750:5                | 0.2   | 0.5 | 0.5    | 0.5    | --   |
|                                |        |                     |                |                |                |               |                | 800:5                | 0.2   | 0.2 | 0.2    | 0.2    | --   |
|                                |        |                     |                |                |                |               |                | 1000:5               | 0.2   | 0.2 | 0.2    | 0.2    | --   |
|                                |        |                     |                |                |                |               |                | 1200:5               | 0.2   | 0.2 | 0.2    | 0.2    | 0.5  |
| 2.06<br>(52.3)                 | 52     | 4.25<br>(108.0)     | 1.10<br>(27.9) |                | 3.88<br>(98.6) | 0.25<br>(6.4) | 0.31<br>(7.9)  | 100:5                | 2.0   | --  | --     | --     | --   |
|                                |        |                     |                |                |                |               |                | 150:5                | 1.0   | 1.0 | --     | --     | --   |
|                                |        |                     |                |                |                |               |                | 200:5                | 1.0   | 1.0 | --     | --     | --   |
|                                |        |                     |                |                |                |               |                | 250:5                | 0.5   | 0.5 | 3.0    | --     | --   |
|                                |        |                     |                |                |                |               |                | 300:5                | 0.5   | 0.5 | 1.0    | 3.0    | --   |
|                                |        |                     |                |                |                |               |                | 400:5                | 0.2   | 0.2 | 0.5    | 1.0    | --   |
|                                |        |                     |                |                |                |               |                | 500:5                | 0.2   | 0.2 | 0.5    | 1.0    | --   |
|                                |        |                     |                |                |                |               |                | 600:5                | 0.2   | 0.2 | 0.5    | 0.5    | 1.0  |
|                                |        |                     |                |                |                |               |                | 750:5                | 0.2   | 0.2 | 0.5    | 0.5    | --   |
|                                |        |                     |                |                |                |               |                | 800:5                | 0.2   | 0.2 | 0.5    | 0.5    | --   |
|                                |        |                     |                |                |                |               |                | 1000:5               | 0.2   | 0.2 | 0.2    | 0.5    | --   |
|                                |        |                     |                |                |                |               |                | 1200:5               | 0.2   | 0.2 | 0.2    | 0.2    | 0.5  |
| 1500:5                         | 0.2    | 0.2                 | 0.2            | 0.2            | 0.5            |               |                |                      |       |     |        |        |      |
| 2.50<br>(63.5)                 | 63     | 5.15<br>(130.9)     | 1.10<br>(27.9) | 4.76<br>(121)  | 5.4<br>(137)   | 0.28<br>(7.1) | 0.65<br>(16.5) | 100:5                | 3.0   | --  | --     | --     | --   |
|                                |        |                     |                |                |                |               |                | 150:5                | 1.0   | 3.0 | --     | --     | --   |
|                                |        |                     |                |                |                |               |                | 200:5                | 0.5   | 1.0 | --     | --     | --   |
|                                |        |                     |                |                |                |               |                | 250:5                | 0.5   | 1.0 | 1.0    | --     | --   |
|                                |        |                     |                |                |                |               |                | 300:5                | 0.5   | 0.5 | 1.0    | 3.0    | --   |
|                                |        |                     |                |                |                |               |                | 400:5                | 0.2   | 0.2 | 0.5    | 1.0    | --   |
|                                |        |                     |                |                |                |               |                | 500:5                | 0.2   | 0.2 | 0.5    | 1.0    | --   |
|                                |        |                     |                |                |                |               |                | 600:5                | 0.2   | 0.2 | 0.5    | 0.5    | 1.0  |
|                                |        |                     |                |                |                |               |                | 750:5                | 0.2   | 0.2 | 0.5    | 0.5    | 1.0  |
|                                |        |                     |                |                |                |               |                | 800:5                | 0.2   | 0.2 | 0.5    | 0.5    | 1.0  |
|                                |        |                     |                |                |                |               |                | 1000:5               | 0.2   | 0.2 | 0.2    | 0.5    | 1.0  |
|                                |        |                     |                |                |                |               |                | 1200:5               | 0.2   | 0.2 | 0.2    | 0.2    | 0.5  |
|                                |        |                     |                |                |                |               |                | 1500:5               | 0.2   | 0.2 | 0.2    | 0.2    | 0.5  |
|                                |        |                     |                |                |                |               |                | 1600:5               | 0.2   | 0.2 | 0.2    | 0.2    | 0.5  |
| 3.25<br>(82.6)                 | 82     | 5.75<br>(146.0)     | 1.25<br>(31.7) |                |                |               |                | 200:5                | 1.0   | 1.0 | --     | --     | --   |
|                                |        |                     |                |                |                |               |                | 250:5                | 0.5   | 1.0 | 3.0    | --     | --   |
|                                |        |                     |                |                |                |               |                | 300:5                | 0.5   | 0.5 | 1.0    | 3.0    | --   |
|                                |        |                     |                |                |                |               |                | 400:5                | 0.2   | 0.5 | 1.0    | 1.0    | --   |
|                                |        |                     |                |                |                |               |                | 500:5                | 0.2   | 0.2 | 0.5    | 1.0    | 3.0  |
|                                |        |                     |                |                |                |               |                | 600:5                | 0.2   | 0.2 | 0.5    | 1.0    | 1.0  |
| 750:5                          | 0.2    | 0.2                 | 0.2            | 0.5            | 1.0            |               |                |                      |       |     |        |        |      |

Address: HeXi Distr,300222 Tianjin China. Phone:+86-022-84943756

Website:www.grewin-tech.com

WhatsApp:+86-13072088960

Email:salesmanager@grewin-tech.com



## 600V Instrument Current Transformers

| WINDOW<br>OPENING<br>SIZE<br>A | SERIES | DIMENSIONS inch(mm) |                |     |     |   |   | IEC60044-1 COMPLIANT @ 50/60Hz |       |     |        |        |      |
|--------------------------------|--------|---------------------|----------------|-----|-----|---|---|--------------------------------|-------|-----|--------|--------|------|
|                                |        | B                   | C              | D   | E   | F | G | TURN<br>RATIO                  | 2.5VA | 5VA | 12.5VA | 22.5VA | 50VA |
| 3.25<br>(82.6)                 | 82     | 5.75<br>(146.0)     | 1.25<br>(31.7) |     |     |   |   | 800:5                          | 0.2   | 0.2 | 0.2    | 0.5    | 1.0  |
|                                |        |                     |                |     |     |   |   | 1000:5                         | 0.2   | 0.2 | 0.2    | 0.5    | 0.5  |
|                                |        |                     |                |     |     |   |   | 1200:5                         | 0.2   | 0.2 | 0.2    | 0.5    | 0.5  |
|                                |        |                     |                |     |     |   |   | 1500:5                         | 0.2   | 0.2 | 0.2    | 0.5    | 0.5  |
|                                |        |                     |                |     |     |   |   | 1600:5                         | 0.2   | 0.2 | 0.2    | 0.5    | 0.5  |
|                                |        |                     |                |     |     |   |   | 2000:5                         | 0.2   | 0.2 | 0.2    | 0.2    | 0.5  |
|                                |        |                     |                |     |     |   |   | 2500:5                         | 0.2   | 0.2 | 0.2    | 0.2    | --   |
|                                |        |                     |                |     |     |   |   | 3000:5                         | 0.2   | 0.2 | 0.2    | 0.2    | --   |
|                                |        |                     |                |     |     |   |   | 3200:5                         | 0.2   | 0.2 | 0.2    | 0.2    | --   |
| 4.25<br>(108.0)                | 1A     | 6.75<br>(171.5)     | 1.25<br>(31.7) |     |     |   |   | 4000:5                         | 0.2   | 0.2 | 0.2    | 0.2    | --   |
|                                |        |                     |                |     |     |   |   | 200:5                          | 1.0   | 1.0 | --     | --     | --   |
|                                |        |                     |                |     |     |   |   | 250:5                          | 1.0   | 1.0 | --     | --     | --   |
|                                |        |                     |                |     |     |   |   | 300:5                          | 0.5   | 0.5 | 1.0    | 3.0    | --   |
|                                |        |                     |                |     |     |   |   | 400:5                          | 0.5   | 0.5 | 1.0    | 1.0    | 3.0  |
|                                |        |                     |                |     |     |   |   | 500:5                          | 0.2   | 0.2 | 0.5    | 1.0    | 3.0  |
|                                |        |                     |                |     |     |   |   | 600:5                          | 0.2   | 0.2 | 0.5    | 0.5    | 1.0  |
|                                |        |                     |                |     |     |   |   | 750:5                          | 0.2   | 0.2 | 0.2    | 0.2    | 0.5  |
|                                |        |                     |                |     |     |   |   | 800:5                          | 0.2   | 0.2 | 0.2    | 0.2    | 0.5  |
|                                |        |                     |                |     |     |   |   | 1000:5                         | 0.2   | 0.2 | 0.2    | 0.2    | 0.5  |
|                                |        |                     |                |     |     |   |   | 1200:5                         | 0.2   | 0.2 | 0.2    | 0.2    | 0.5  |
|                                |        |                     |                |     |     |   |   | 1500:5                         | 0.2   | 0.2 | 0.2    | 0.5    | 0.5  |
|                                |        |                     |                |     |     |   |   | 1600:5                         | 0.2   | 0.2 | 0.2    | 0.5    | 0.5  |
|                                |        |                     |                |     |     |   |   | 2000:5                         | 0.2   | 0.2 | 0.2    | 0.2    | 0.2  |
|                                |        |                     |                |     |     |   |   | 2500:5                         | 0.2   | 0.2 | 0.2    | 0.2    | 0.2  |
|                                |        |                     |                |     |     |   |   | 3000:5                         | 0.2   | 0.2 | 0.2    | 0.2    | 0.2  |
|                                |        |                     |                |     |     |   |   | 3500:5                         | 0.2   | 0.2 | 0.2    | 0.2    | 0.2  |
| 4000:5                         | 0.2    | 0.2                 | 0.2            | 0.2 | 0.2 |   |   |                                |       |     |        |        |      |

Address: HeXi Distr,300222 Tianjin China. Phone:+86-022-84943756  
 Website:www.grewin-tech.com WhatsApp:+86-13072088960  
 Email:salesmanager@grewin-tech.com