



MINIATURE VOLTAGE TRANSFORMERS

Toroidal Core Voltage Transformers

The GREWIN GWTV series of miniature voltage transformers are designed for applications where AC voltage signals must be transformed accurately into a lower AC voltage signal appropriate for micro-processor based circuits.

The GWTVxx0x series of toroidal core, PCB voltage transformers are designed specifically for integration into products which require exceptionally accurate primary signal transformation while exposed to harsh environmental operating conditions.

A GWTV model can be designed and manufactured to meet the specific design challenges of the client's specific application. The following models are only a small sampling of the many different products which have been and are currently being manufactured.

FEATURES

- Low cost
- More than 20 standard sizes
- Non-symmetrical mounting pattern

APPLICATIONS

- For applications that require exceptional accuracy with minimal phase angle error
- Applications would include voltage, power, and energy monitoring devices

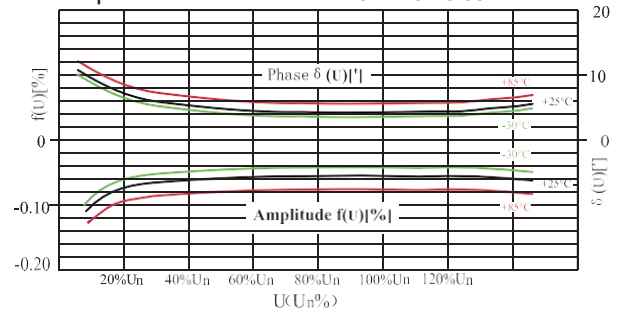
SPECIFICATIONS

- Exterior Material: PBT Resin UL flame retardant rating 94-V0
- Interior Insulation: Epoxy Encapsulated
- Isolation Voltage: 2500 Vrms for 1 minute
- Dielectric Resistance: 1000M Ohms @500 Vdc
- Surge Withstand: 5000V (1.2/50µs standard shock wave) optional
- Rated Load Resistance: 100K Ohms
- Accuracy Class: as defined in IEC 60044-2 Part 2 Voltage Transformers Class 0.1
- Operating Temperature: -25 to +55° C, -40 to +85° C optional
- Frequency: 50 to 400 Hz
- RoHS compliant

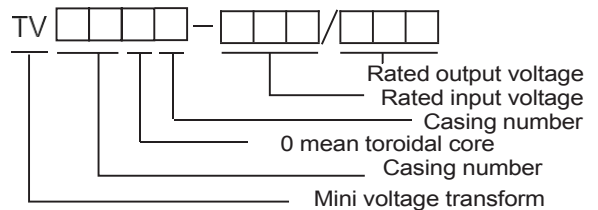
PERFORMANCES



Typical Temperature Dependence of Phase and Amplitude Errors GWTV52-120V/3.53V



PART NUMBERS



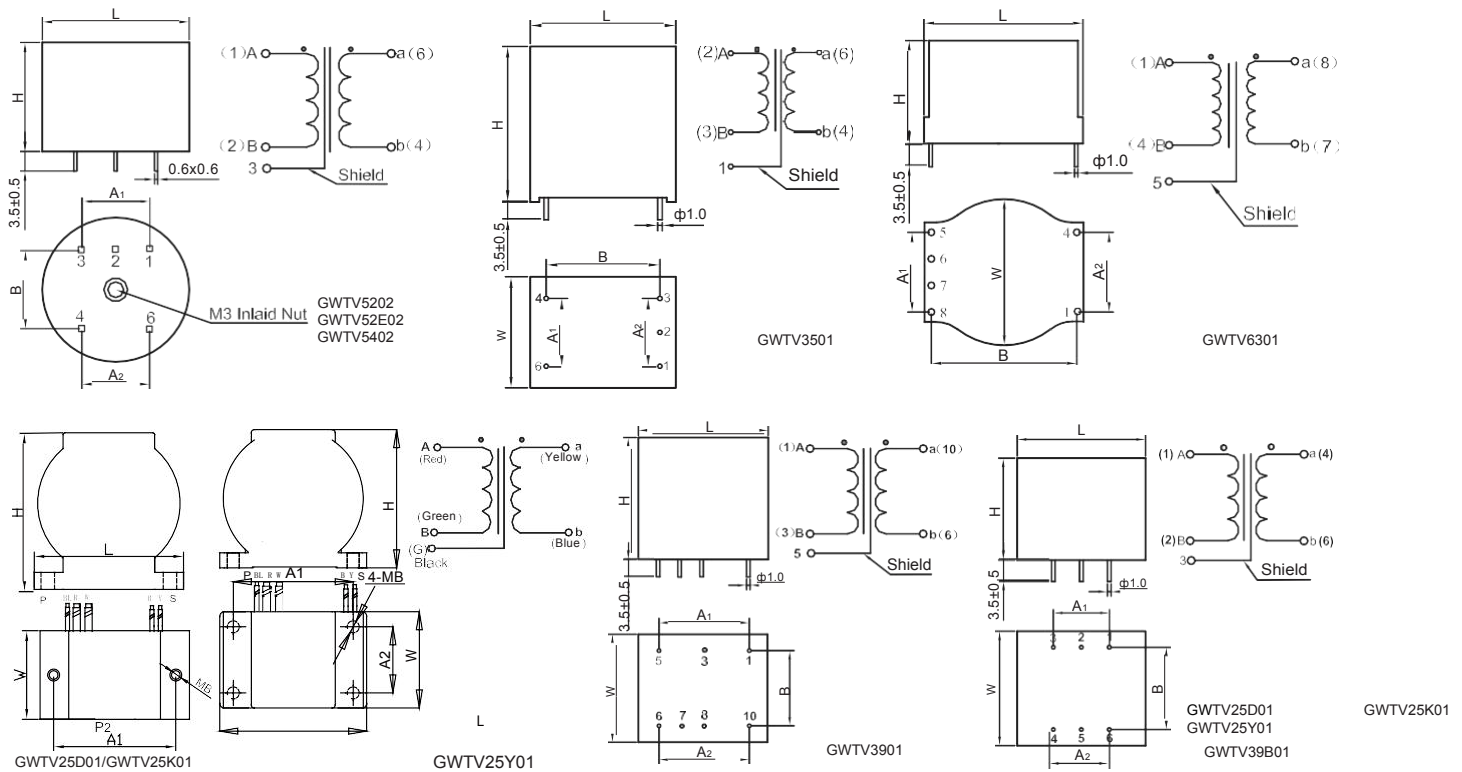
PCB mounted voltage transformers					
Model	Rated Input/Output	Frequency (Hz)	Excitation Current (mA)	Accuracy Class	Outline Dimensions (mm)
GWTV5202	Input: 57.7V, 100V, 120V, 150V, Output: 0.1V, 0.333V...3.53V.....V	50 to 400	≤0.5	0.1	OD-H 32.0-26.0
GWTV52D02 (stell casing)	Input: 57.7V, 100V, 120V, 150V, Output: 0.1V, 0.333V...3.53V.....V	50 to 400	≤0.5	0.1	OD-H 31.0-30.0
GWTV5402	Input: 150V, 200, 220V, 300V Output: 0.1V, 0.333V...3.53V.....V	50 to 400	≤0.5	0.1	OD-H 37.4-28.0
GWTV3501	Input: 57.7V, 100V, 120V, 150V Output: 0.1V, 0.333V...3.53V.....V	50 to 400	≤0.5	0.1	L-W-H 32.0-25.0-34.0
GWTV39B01	Input: 57.7V, 100V, 120V, 200V Output: 0.1V, 0.333V...3.53V.....V	50 to 400	≤0.5	0.1	L-W-H 35.0-32.0-30.0
GWTV3901	Input: 150V, 220V, 300V Output: 0.1V, 0.333V...3.53V.....V	50 to 400	≤0.5	0.1	L-W-H 36.5-31.0-35.0
GWTV6301	Input: 300V, 380V, 500V, 600V Output: 0.1V, 0.333V...3.53V.....V	50 to 400	≤0.5	0.1	L-W-H 47.0-44.0-31.0

Toroidal Core Voltage Transformers

PERFORMANCES

Model	Rated Input/Output	Frequency(Hz)	Excitation Current (mA)	Accuracy Class	Outline Dimensions(mm)
Chassis Mounted voltage transformers					
GWTV25D01	Input: 150V,220V,300V Output: 0.1V,0.333V...3.53V.....V	50 to 400	≤0.5	0.1	L-W-H 50.0-26.0-46.0
GWTV25K01	Input: 150V,220V,300V Output: 0.1V,0.333V...3.53V.....V	50 to 400	≤0.5	0.1	L-W-H 45.5-31.0-46.0
GWTV25Y01	Input: 150V,220V,300V Output: 0.1V,0.333V...3.53V.....V	50 to 400	≤0.5	0.1	L-W-H 49.0-32.0-46.0

OUTLINE DRAWINGS



Address: HeXi Distr,300222 Tianjin China. Phone:+82-22-84943756
 Website:www.grewin-tech.com WhatsApp:+86-13072088960
 Email:salesmanager@grewin-tech.com



Toroidal Core Voltage Transformers

OUTLINE DIMENSION

单位:mm (inch)

型号	L	W	H	A ₁	A ₂	B
GWTV5202	32.0 (1.259)	—	26.0(1.024)	7.62x2(0.3x2)	15.24(0.600)	20.0(0.787)
GWTV52D02	31.0 (1.220)	—	30.0(1.181)	7.62x2(0.3x2)	15.24(0.600)	20.0(0.787)
GWTV5402	37.4 (1.472)	—	28.0(1.102)	7.62x2(0.3x2)	15.24(0.600)	20.0(0.787)
GWTV3501	32.0 (1.259)	25.0(0.984)	34.0(1.339)	15.24(0.600)	7.62x2(0.3x2)	25.4(1.000)
GWTV39B01	35.0 (1.378)	32.0(1.259)	30.0(1.181)	7.5x2(0.295x2)	7.5x2(0.295X2)	22.5(0.886)
GWTV3901	36.5 (1.437)	31.0(1.220)	35.0(1.378)	5.08x4(0.2x4)	5.08x4(0.2X4)	25.4(1.000)
GWTV6301	47.0 (1.850)	44.0(1.732)	31.0(1.220)	8.0X3(0.315x3)	8.0X3(0.315X3)	43.0(1.693)
GWTV25D01	50.0 (1.969)	26.0(1.024)	46.0(1.811)	40.0(1.575)	----	4.0(0.157)
GWTV25K01	44.0 (1.732)	31.0(1.220)	46.0(1.811)	36.0(1.417)	----	4.0(0.157)
GWTV25Y01	49.0 (1.929)	32.0(1.260)	46.0(1.811)	40.0(1.575)	22.0(0.866)	4.0(0.157)

Address: HeXi Distr,300222 Tianjin China. Phone:+82-22-84943756
 Website:www.grewin-tech.com WhatsApp:+86-13072088960
 Email:salesmanager@grewin-tech.com