

Split Core Current Transformers(outdoor use) GWSCCT667D

GWSCCT667D series retro-fit (split-core) current transformer has been specially designed to facilitate their installation in new or already existing net works. They may be installed without opening any cable or bus-bar circuit. An internal precision resistor across the secondary winding of the CT provides a low safe voltage output. It can save time and the installation costs.

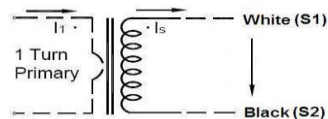
◆ Features

- Outdoor use, resisting wind, rain and UV fading,IP65, Acquisition voltage signal in the field
- Wide inner window, allowing clamping of big cables or bus-bars
- Wide range of sizes to accommodate all the existing installations

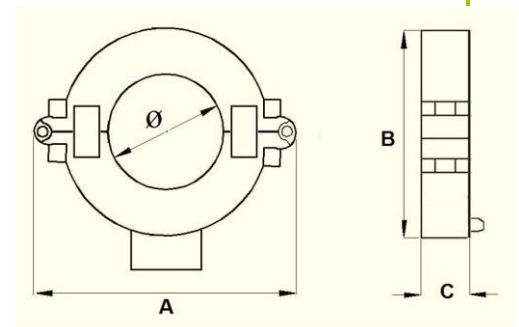
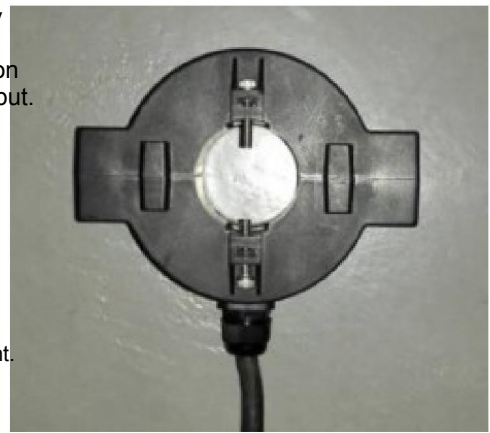
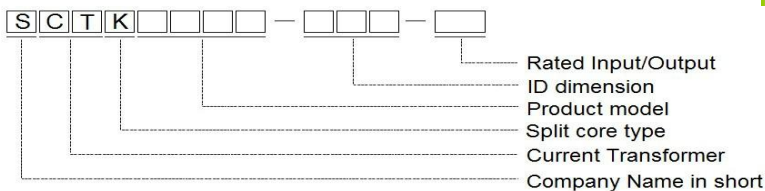
◆ Applications

- Current measurement, monitoring and protection for electrical wiring and equipment.
- Current and power measurement for electric motors, lighting, air compressor, heating and ventilation system, air-condition equipment and automation – control system.
- Current, power and energy monitoring device.

◆ Circuit connection diagram



◆ Designation



◆ Technique Index

Electrical Parameter	
Frequency	50-60Hz
Rated Input	50A-2000A
Measuring range	1%In-130%In
Rated Output	1A/5A
Ratio	$\leq \pm 0.2\%$
Phase angle	$\leq \pm 10\text{min}$
Dielectric strength	3.0KV/1mA/1min
Insulation Resistance	DC500V/100MΩ min

Mechanical Parameter	
Case	PC+ABS/UL94-V0
Bobbin	PBT
Core	Permalloy
Internal structure	Epoxy
Construction	Tie
Operating Temp	$-40^{\circ}\text{C} \sim +85^{\circ}\text{C}$
Operating Humidity	$\leq 96\%$
Output Connection	Terminal or UL14AWG Wire 1.5m



TIANJIN GREWIN TECHNOLOGY CO.,LTD.
Web:www.grewin-tech.com WhatsApp:+86-13072088960
Email:salesmanager@grewin-tech.com

◆ **Type Selection**

Mfg P/N	Rated Input (A)	Output (A)	Accuracy	Dimensions(mm)			
				Ø	A	B	C
SCCT667D-025	50-400A	1A/5A	0.5、1.0、3.0	25	173	105	56
SCCT667D-032	100-630A	1A/5A	0.5、1.0、3.0	32	206	112	56
SCCT667D-045	100-1000A	1A/5A	0.2、0.5、1.0	45	193	125	56
SCCT667D-055	100-1200A	1A/5A	0.2、0.5、1.0	55	180	135	56
SCCT667D-065	100-1500A	1A/5A	0.2、0.5、1.0	65	203	145	56
SCCT667D-080	200-2000A	1A/5A	0.2、0.5、1.0	80	228	160	56
SCCT667D-100	500-3000A	1A/5A	0.2、0.5、1.0	100	248	180	56



TIANJIN GREWIN TECHNOLOGY CO.,LTD.

Web:www.grewin-tech.com WhatsApp:+86-13072088960

Email:salesmanager@grewin-tech.com