

## Electric Power Inductor/Bar inductor /Choke:

### ◆ Features:

- 1)Low cost&High efficiency
- 2)Low magnetic leakage
- 3)High saturation current
- 4)Good control on noise due to the toroidal constructure
- 5)Various material available to meet different frequency requirements.
- 6)High Impedance.
- 7)Wide Frequency Range.
- 8)Shielding Optional.

### ◆ Applications:

Inverter welding machine, electrostatic precipitator, high frequency inductor heating, variable frequency drive, inverter air conditioner, flat panel TV, photovoltaic, and electric car.

### ◆ Specification:

10VA to 500KVA Professional Design

High DC Saturation Consideration

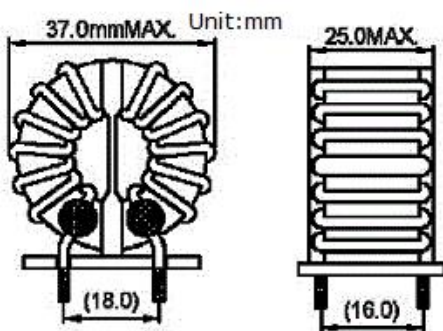
3000V,4500V Insulation Class Optional.

Professional Integrated Differential & Common Mode Choke Design.

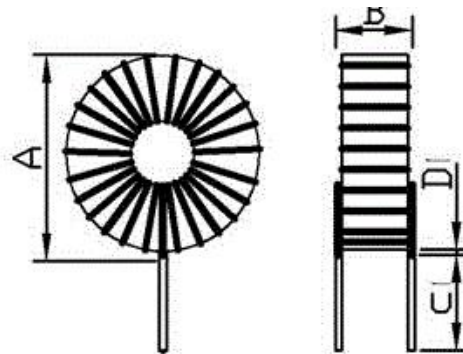
High Reliable Manufacturing and Winding Craft Customized.

### ◆ Drawing Type

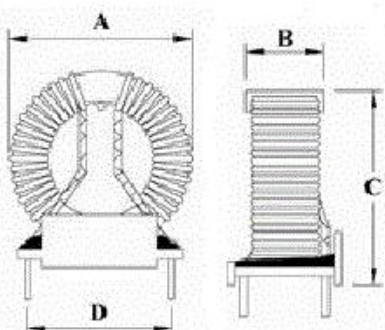
#### Inductor&Choke Type:



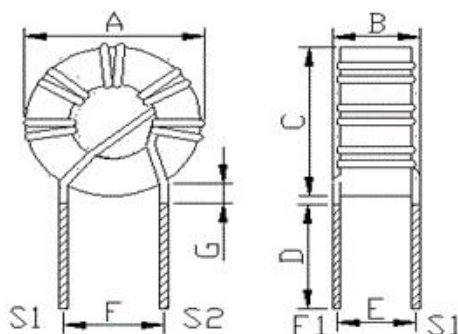
Pic 1



Pic 2



Pic 3



Pic 4



## TIANJIN GREWIN TECHNOLOGY CO.,LTD.

Web:[www.grewin-tech.com](http://www.grewin-tech.com) WhatsApp:+86-13072088960

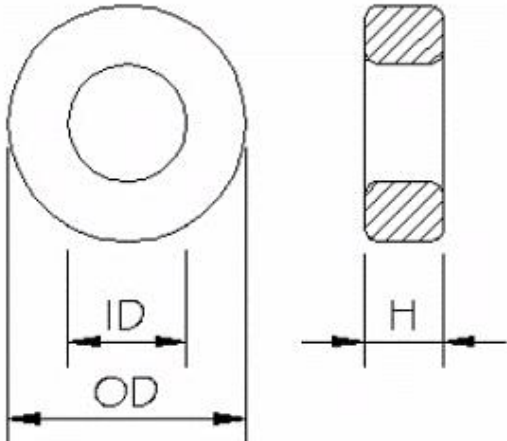
Email:[salesmanager@grewin-tech.com](mailto:salesmanager@grewin-tech.com)

### ◆ Datas

Type	Specification	Inductance	Work Frequency
I-TYPE INDUCTOR	φ1.8×2	1uH-10uH	1KHz-100MHz
	φ4×6	1uH-50uH	1KHz-100MHz
	φ6×8	1uH-10uH	1KHz-100MHz
	φ8×10	1uH-30uH	1KHz-100MHz
	φ9×12	1uH-100uH	1KHz-100MHz
	φ12×14	10uH-100uH	1KHz-100MHz
	φ14×16	10uH-100uH	1KHz-100MHz
	φ16×18	10uH-10uH	1KHz-100MHz
	φ18×18	100uH-100uH	1KHz-100MHz
	φ18×20	100uH-100uH	1KHz-100MHz
	φ22×24	10uH-500uH	1KHz-100MHz

◆ **Toroidal Core Size**

TOROIDAL CORES INDUCTOR DIMENSION:



COILFORMER DIMENSIONS (mm)				
TYPE	OD	ID	H	MASS (G)
T3.0	3.05	1.27	1.27	0.04
T3.9	3.94	2.24	1.3	0.05
T3.9/2	3.94	2.24	2.0	0.07
T4.0	4.0	2.4	1.6	0.06
T5.8	5.84	3.05	1.52	0.1
T5.8/3	5.84	3.05	3.0	0.3
T6.3	6.3	3.8	2.5	0.2
T9.5	9.53	4.75	3.17	0.8
T10	10.0	6.0	4.0	0.9
T12.5	12.5	7.5	5.0	1.8
T13.3	13.3	8.3	5.0	1.8
T14	14.0	9.0	5.0	2.0



**TIANJIN GREWIN TECHNOLOGY CO.,LTD.**  
Web:[www.grewin-tech.com](http://www.grewin-tech.com) WhatsApp:+86-13072088960  
Email:salesmanager@grewin-tech.com

<b>T15</b>	15.0	10.4	5.3	2.4
<b>T16</b>	16.0	9.6	6.3	3.7
<b>T17</b>	17.0	10.7	6.8	4.4
<b>T20/7</b>	20.0	10.0	7.0	7.6
<b>T22</b>	22.1	13.7	6.35	6.8
<b>T23/8</b>	22.6	14.7	7.6	8.1
<b>T23/9</b>	22.6	14.7	9.2	9.8
<b>T25/10</b>	25.3	14.8	10.0	16
<b>T25/12</b>	25.3	14.8	12.0	19
<b>T25/15</b>	25.3	14.8	15.0	24
<b>T25/20</b>	25.3	14.8	20.0	33
<b>T29</b>	29.5	19.0	14.9	27
<b>T30</b>	30.5	20.0	12.5	25
<b>T34/10</b>	34.0	20.5	10.0	27
<b>T34/12.5</b>	34.0	20.5	12.5	33
<b>T36</b>	36.0	23.0	15.0	43
<b>T40</b>	40.0	24.0	16.0	61
<b>T42</b>	41.8	26.2	12.5	48
<b>T50</b>	50.0	30.0	20.0	118
<b>T58</b>	58.3	40.8	17.6	115
<b>T100</b>	102	65.8	15.0	330